

DATA SHEET NO. PORT 2 / 10 / 99




DESCRIPTION

These are Moving Coil DC, Moving coil rectifier type AC, Moving iron AC ammeters & voltmeters which are suitable for use in school, laboratories, workshops & for field operation. Specially designed to be operated in horizontal position (also in inclined position upto 45°) & can be carried along safely.

FEATURES

- ◆ Instruments with accuracy class 1.0% for DC, 1.5% for AC.
- ◆ Instruments with multiple scale (refer table).
- ◆ Robust housing.
- ◆ These instruments have high resistance to shock & vibrations.

ELECTRICAL SPECIFICATIONS

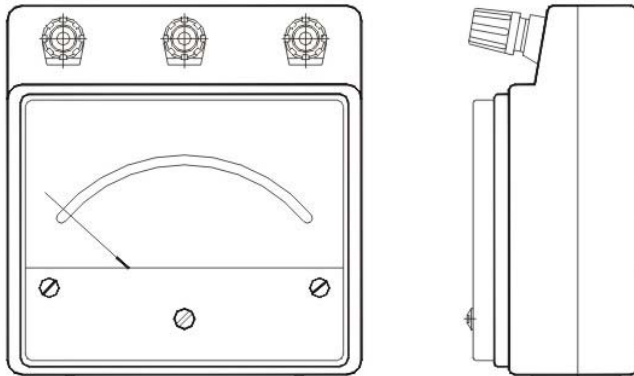
MODEL	TYPE	SCALE	RANGE	ACCURACY
 PORT SSSP - 1	D.C. μ -AMMETER	Single	250 μ A, 500 μ A, 1000 μ A	1.0%
		Dual	250/500 μ A, 500 / 1000 μ A	
	D.C. MILLI-AMMETER	Single	1mA, 2.5mA, 3mA, 5mA, 7.5mA, 10mA, 25mA, 30mA, 50mA, 75mA, 100mA, 250mA, 300mA, 500mA, 750mA, 1000mA	
		Dual	1/2mA, 2.5/5mA, 5/10mA, 10/20mA, 15/30mA, 25/50mA, 50/100mA, 150/300mA, 250/500mA, 500/1000mA.	
	D.C. AMMETER	Single	1A, 2.5A, 3A, 5A, 10A, 15A, 20A, 25A, 30A (INT. SHUNT)	
		Dual	1/2A, 2.5/5A, 5/10A, 10/20A, 15/30A. (INT. SHUNT)	
	D.C. MILLIVOLTMETER	Single	50mV, 75mV, 100mV, 150mV, 300mV, 500mV, 1000mV	
		Dual	50/100mV, 75/150mV, 100/200mV, 150/300mV, 250/500mV, 500/1000mV.	
		Triple	50/100/200mV, 75/150/300mV, 150/300/600mV, 250/500/1000mV.	
	D.C. VOLTMETER	Single	1V, 2.5V, 3V, 5V, 7.5V, 10V, 15V, 20V, 25V, 30V, 50V, 75V, 100V, 150V, 200V, 250V, 300V, 500V, 600V.	
		Dual	1/2V, 2.5/5V, 5/10V, 15/30V, 30/60V, 50/100V, 75/150V, 100/200V, 150/300V, 250/500V, 300/600V.	
		Triple	1.5/3/7.5V, 15/30/75V, 25/50/100V, 75/150/300V, 125/250/500V, 150/300/600V.	
 PORT SSSP - 2	A. C. MILLI-AMMETER	Single	10mA, 50mA.	1.5%
	A.C. VOLTMETER	Single	10V, 15V, 20V, 25V, 50V, 100V, 150V, 300V, 600V.	
 PORT SSSP - 3	A.C. AMMETER.	Single	0.5A, 1A, 2.5A, 5A, 10A.	1.5%
		Dual	0.5/1A, 1/2A, 2.5/5A, 5/10A.	
	A.C. VOLTMETER	Single	62.5V, 75V, 125V, 150V, 250V, 300V, 500V, 600V.	
		Dual	62.5/125V, 75/150V, 125/250V, 150/300V, 250/500V, 300/600V.	
		Triple	62.5/125/250V, 75/150/300V, 125/250/500V, 150/300/600V	

Portable Instrument

D.C. & A.C. Ammeters & Voltmeters (Small Size Standard with Polycarbonate housing)



MECHANICAL SPECIFICATIONS



SIZE	LENGTH mm	WIDTH mm	HEIGHT mm	HOUSING MATERIAL	MODEL IDENTIFICATION	SCALE		WEIGHT gm. (Approx.)
						LENGTH mm (Approx.)	DIVISION no.	
1	115	110	50	Polycarbonate	SSSP —	90	30 ~ 50	400

Ordering information

- 1) Type 2) Model 3) Scale 4) Range 5) Accuracy

