

COMBIMETER DIGITAL VIF METER



DATA SHEETNO. : VIF / 08 / 02



DESCRIPTION

It is a Combined Voltage, Current & Frequency meter. The meter incorporates micro-controller to measure & indicate these parameters simultaneously on three separate LED displays.

FEATURES

- ◆ Requires only one meter instead of three meters to indicate Voltage, Current and frequency.
- ◆ Reduces panel Wiring.
- ◆ Isolation is provided for AC current input by 1 Amp or 5 Amp inbuilt CT.

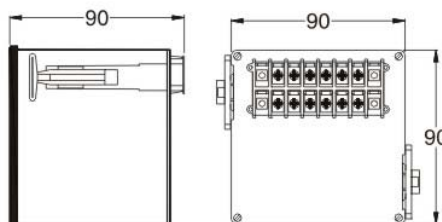
ELECTRICAL SPECIFICATIONS

- ◆ INPUT VOLTAGE : 600V AC
- ◆ INPUT CURRENT : 1A / 5A
- ◆ OPERATING FREQUENCY : 45 Hz to 55 Hz.
- ◆ ACCURACY : Voltage & Current : $\pm 1.0\%$ of Full-scale
Frequency : $\pm 0.5\%$ of Centre Frequency
- ◆ AUX. SUPPLY : 110 / 240V $\pm 10\%$, 50 / 60Hz
- ◆ VA BURDEN : Voltage : 0.5VA
Current : 0.5VA
Aux. Supply : 4 VA
- ◆ RESPONSE TIME : Less than 1 sec.
- ◆ DISPLAY COLOUR : Red,(Green on request)
- ◆ DISPLAY TYPE : 3 Digit, 7 segment, LED display
- ◆ INSULATION RESISTANCE : Greater than 20M Ω at 500VDC
- ◆ DIELECTRIC TEST : 2kV RMS for 1 min.
- ◆ OPERATING TEMPERATURE : 0° C to 55°C.
- ◆ STORAGE TEMPERATURE : -20° C to 70°C.
- ◆ HUMIDITY : Upto 95% RH.

COMBIMETER DIGITAL VIF METER

MECHANICAL SPECIFICATIONS

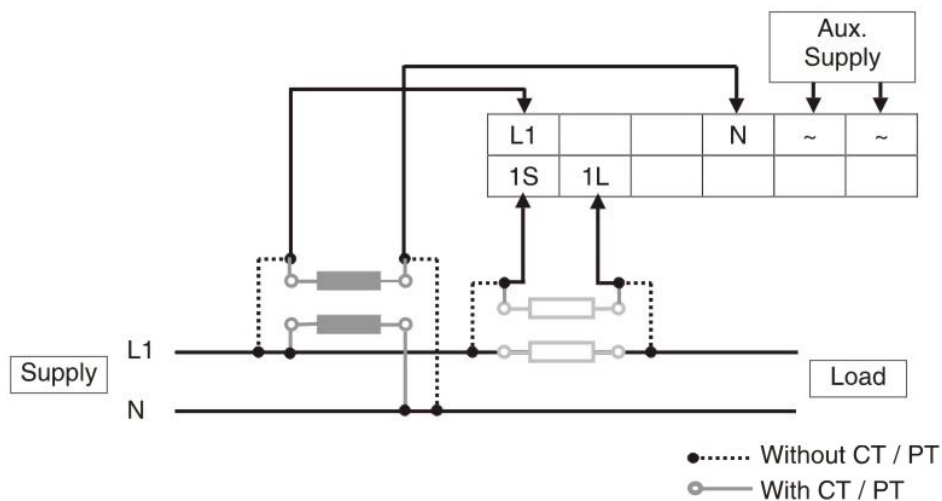
Data Sheet	Model	System	Acc. Class	Size (mm)	Weight Approx. gms)	Panel Cutout (mm)
VIF	VIF 16142	Single Phase	1.0	96 x 96 x 90	800	92 x 92 ^{+0.8}



TERMINAL CONNECTIONS

TYPE	VOLTAGE	CURRENT	Aux. Supply
Single Phase	L1, N	1S, 1L	~, ~

TYPICAL WIRING DIAGRAM



Ordering information

- 1) Model
- 2) Input Voltage
- 3) Input Current
- 4) Auxiliary Supply
- 5) PTR (if any)
- 6) CTR (if any)