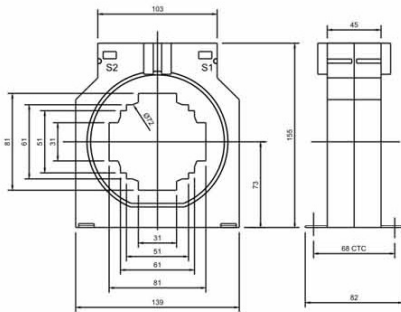




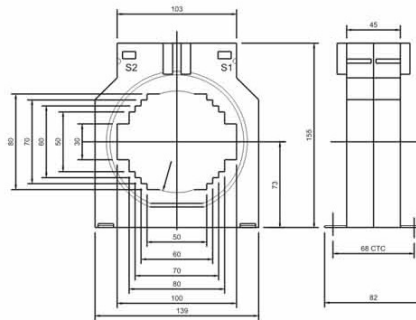
AE-155(140) Series

- AE 125/80, 125/100 available in Accuracy Class 0.25, 0.2, 0.5 & Class 1
- For Bus bar size details please refer dimension and diagram.
- Orders for different ranges of CT's are accepted on request.
- 5A & 1A Secondary available.
- For all transformers DIN RAIL plate can be supplied (as per DIN EN 50022) on request.

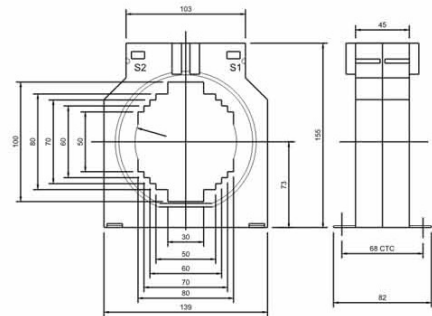
155/80



155/100



155/100



Rated Primary Current	155/80				155/100				155/100 H			
	Accuracy Class				Accuracy Class				Accuracy Class			
	0.25	0.2	0.5	1	0.25	0.2	0.5	1	0.25	0.2	0.5	1
200A	-	-	2.5VA	5.0VA	-	-	1.5VA	3.75VA	-	-	1.5VA	3.75VA
250A	-	-	5.0VA	10 VA	-	-	2.5VA	5.0VA	-	-	2.5VA	5.0VA
300A	-	1.5VA	7.5VA	15 VA	-	-	7.5VA	7.5VA	-	-	3.75VA	7.5VA
400A	-	2.5VA	10VA	15VA	-	1.5VA	10VA	10VA	-	1.5VA	7.5VA	10VA
500A	2.5VA	5.0VA	15VA	30VA	-	2.5VA	10VA	12.5VA	-	2.5VA	10VA	12.5VA
600A	3.75VA	7.5VA	15VA	30VA	-	3.75VA	12.5VA	15VA	2.5VA	3.75VA	10VA	15VA
750A	5.0VA	10VA	15VA	45VA	-	5VA	15VA	20VA	5.0VA	5VA	15VA	20VA
800A	5.0VA	10VA	15VA	45VA	-	5VA	15VA	20VA	5.0VA	5VA	15VA	20VA
1000A	10VA	15VA	30VA	60VA	-	10VA	15VA	20VA	5.0VA	10VA	15VA	20VA
1200A	10VA	15VA	30VA	60VA	-	15VA	15VA	30VA	10VA	15VA	15VA	30VA
1250A	10VA	30VA	60VA	60VA	-	15VA	15VA	30VA	10VA	15VA	15VA	30VA
1500A	10VA	30VA	60VA	60VA	-	20VA	30VA	30VA	10VA	20VA	20VA	30VA
1600A	10VA	30VA	60VA	60VA	-	20VA	45VA	45VA	10VA	20VA	20VA	45VA
2000A	10VA	30VA	60VA	60VA	-	30VA	45VA	45VA	10VA	30VA	45VA	45VA
2500A	-	-	-	-	-	30VA	45VA	45VA	10VA	30VA	45VA	45VA
3000A	-	-	-	-	-	30VA	60VA	60VA	10VA	30VA	60VA	60VA
4000A	-	-	-	-	-	-	-	-	10VA	30VA	60VA	60VA

