



ISO-9001

Digital Power Factor Meter

DATA SHEET NO. PFD / 08 / 02



DESCRIPTION

It incorporates solid state circuitry with micro-controller to measure Power Factor of Single Phase and Three Phase system.

FEATURES

- ◆ The Meter does not require external transducer. Hence panel wiring is reduced.
- ◆ "—" sign indicates lagging PF (only for model PFD 65101 & 66301).
- ◆ Glowing of "Reverse LED" for reversal of current (only for model PFD 65102, 66302, 67302, 68302).

ELECTRICAL SPECIFICATIONS

- ◆ TYPE : 1 Ph / 3 Ph – 1 EL / 3 Ph – 2 EL – 3 W / 3 Ph – 3 EL – 4 W
- ◆ INPUT VOLTAGE : 63.5V/110V/240V/440V
- ◆ INPUT CURRENT : 1A/5A
- ◆ ACCURACY : $\pm 2^\circ$
- ◆ AUXILIARY SUPPLY : 110V./240V. $\pm 10\%$ 50/60 Hz
- ◆ VA BURDEN : Voltage : 2 VA
Current : 0.5 VA
Aux. Supply : 3 VA
- ◆ DISPLAY COLOUR : Red , (Green On request.)
- ◆ DISPLAY TYPE : 4 Digit, Seven Segment, 12.5mm LED Display
- ◆ RESOLUTION : 0.001
- ◆ RANGE : 0.1Lag-1-0.1Lead
- ◆ INSULATION RESISTANCE : Greater than 20M. Ω at 500V. DC
- ◆ DIELECTRIC TEST : 2kV RMS for 1 minute.
- ◆ OPERATING TEMP. : 0°C to 55°C.
- ◆ STORAGE TEMP. : -20°C to 70°C.
- ◆ HUMIDITY : Up to 95% RH.
- ◆ PROTECTION : IP 30

MECHANICAL SPECIFICATIONS

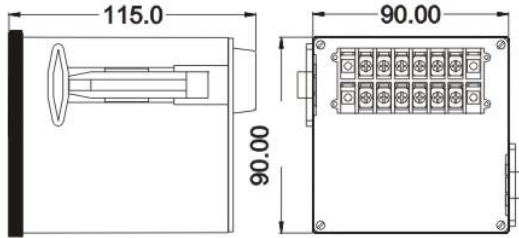
Data Sheet	Model	System	Acc.	Indication incase of absence of current / voltage signal	Size (mm)	Weight (@ gms)	Panel Cutout (mm)
PFD	AE 65101	Single Phase	$\pm 2^\circ$	Err	48 X 96 X 150	550	45 ^{+0.6} X 92 ^{+0.8}
	AE 65102	Single Phase		Err	96 X 96 X 115	800	92 X 92 ^{+0.8}
	AE 66301	3 Ph-1 EL	$\pm 2^\circ$	Err	48 X 96 X 150	550	45 ^{+0.6} X 92 ^{+0.8}
	AE 66302	3 Ph-1 EL		Err	96 X 96 X 115	800	92 X 92 ^{+0.8}
	AE 67301	3 Ph-2 EL-3 W	$\pm 2^\circ$	Blinking of reverse LED	96 X 96 X 150	550	45 ^{+0.6} X 92 ^{+0.8}
	AE 67302	3 Ph-2 EL-3 W		Blinking of reverse LED	96 X 96 X 115	800	92 X 92 ^{+0.8}
	AE 68302	3 Ph-3 EL-4 W	$\pm 2^\circ$	Blinking of reverse LED	96 X 96 X 115	800	92 X 92 ^{+0.8}

Digital Power Factor Meter

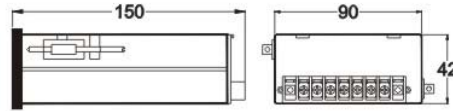


DIMENSIONS

For 96 x 96



For 48 x 96



TERMINAL CONNECTIONS

For 96 x 96

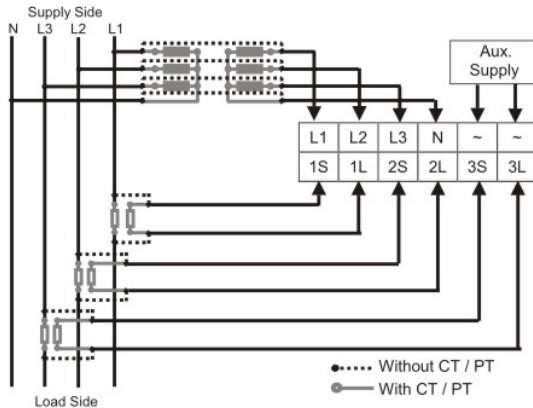
Type	Voltage	Current	Aux. Supply
1Ph	L1, N	1S, 1L	~ , ~
3Ph – 1EL	L2, L3	1S, 1L	
3Ph – 2EL – 3W	L1, L2, L3	1S, 1L 3S, 3L	
3Ph – 3EL – 4W	L1, L2, L3, N	1S, 1L 2S, 2L 3S, 3L	

For 48 x 96

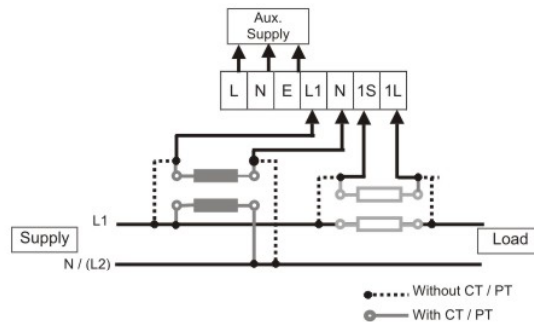
Type	Voltage	Current	Aux. Supply
1Phase	L1, N	1S, 1L	~ , ~
	L2, L3	1S, 1L	
	L3, L1	2S, 2L	
3 Ph 1 EL	L1, L2	3S, 3L	

TYPICAL WIRING DIAGRAM

For Three Phase System



For Single Phase System



♣ **Note :-** For 3 Ph – 1EL type, connect current of 1 phase (CT secondary) & Voltage across other two phases (PT secondary).

Ordering information

- 1) Model
- 2) Input Voltage
- 3) Input Current
- 4) Auxiliary supply
- 5) Power Factor Range